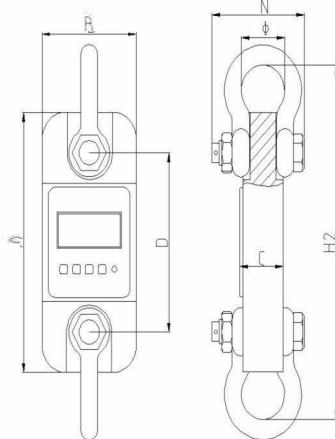




Wireless Dynamometer

Model: DL-W1



- ◆ **Body protection:** Aluminum and alloy steel capacities are powder coated.
- ◆ **Accuracy:** 0.05% for 1-50t, 0.1% for above 50t capacity.
- ◆ **Units:** Units are clearly display on the screen, available in the following measurement reading: kilograms(kg), short Tons(t) pounds(lb), Newton and kilonewton(kN)
- ◆ **Shackles:** High tension industrial standard G2130 anchor shackle bows, galvanized finish.
- ◆ **Gravity regulation:** The acceleration of gravity can be regulated through indicator according to different places value.
- ◆ **Functions:** wireless indicator with many functions: Zero, tare, Low battery warnings, peak hold, overload warning. User calibration(with password).
- ◆ **Set-Point:** Two user programmable Set-Point can be used for safety and warning applications or for limit weighing.
- ◆ **Package:** Packed with carry case, easy to bring.
- ◆ **Indicator key:** 4 local mechanical keys: "ON/OFF", "ZERO", "PEAK" and "Unit Change".

Profile

DL-W1 wireless dynamometer is an extremely well-built instrument for industry use, as a standard wireless tool offer universal applications, the indicator 180 have USB port, Communicate with PC, Solve many laptops without serial port problem. DL-W1 wireless dynamometer is microprocessor controlled for high precision accuracy, calibration is easier with Palm size 180 indicator.

Main technical data

Body display	25mm (1") 5digits LCD with backlight
Indicator display	12mm(0.5") 5digits LCD with backlight
Power on zero range	20% F.S.
Manual Zero Range	4% F.S.
Tare Range	20% F.S.
Stable Time	≤5 seconds
Overload Indication	100% F.S. + 9e
Max. Safety Load	125% F.S.
Ultimate Load	400% F.S.
Battery Life	≥50 hours
Body Battery	"LR6(AA)"size alkaline batteries. 1.5V x 3
Indicator Battery	USB power supply, lithium battery optional
Operating Temp	- 20 C ~ + 50 C
Operating Humidity	≤85% RH under 20 C
Wireless Distance	Min. 80m(default) [200m(optional)]
Wireless Frequency	2.4GHz(default), 433MHz, 868MHz(optional)

DIMENSIONS AND SPECIFICATIONS

MODEL	Cap.(kg)	Resolution (kg)	A(mm)	B(mm)	C(mm)	D(mm)	φ(mm)	H(mm)	Unit Weight (kg)	Weight with shackles(kg)	Material
DL-W1-1	1000	0.5	245	112	37	190	43	335	1.6	3.1	Aluminum
DL-W1-2	2000	1	260	123	37	195	51	365	2.1	4.6	Aluminum
DL-W1-3	3000	1	260	123	37	195	51	365	2.1	4.6	Aluminum
DL-W1-5	5000	2	285	123	57	210	58	405	2.7	6.3	Aluminum
DL-W1-10	10000	5	320	120	57	230	92	535	10.4	24.8	Alloy Steel
DL-W1-20	20000	10	375	128	74	260	127	660	17.8	48.6	Alloy Steel
DL-W1-30	30000	10	420	138	82	280	146	740	25	73	Alloy Steel
DL-W1-50	50000	20	465	150	104	305	184	930	39	128	Alloy Steel
DL-W1-100	100000	50	570	190	132	366	229	1230	81	321	Alloy Steel
DL-W1-200	200000	100	720	265	183	440	280	1362	210	776	Alloy Steel